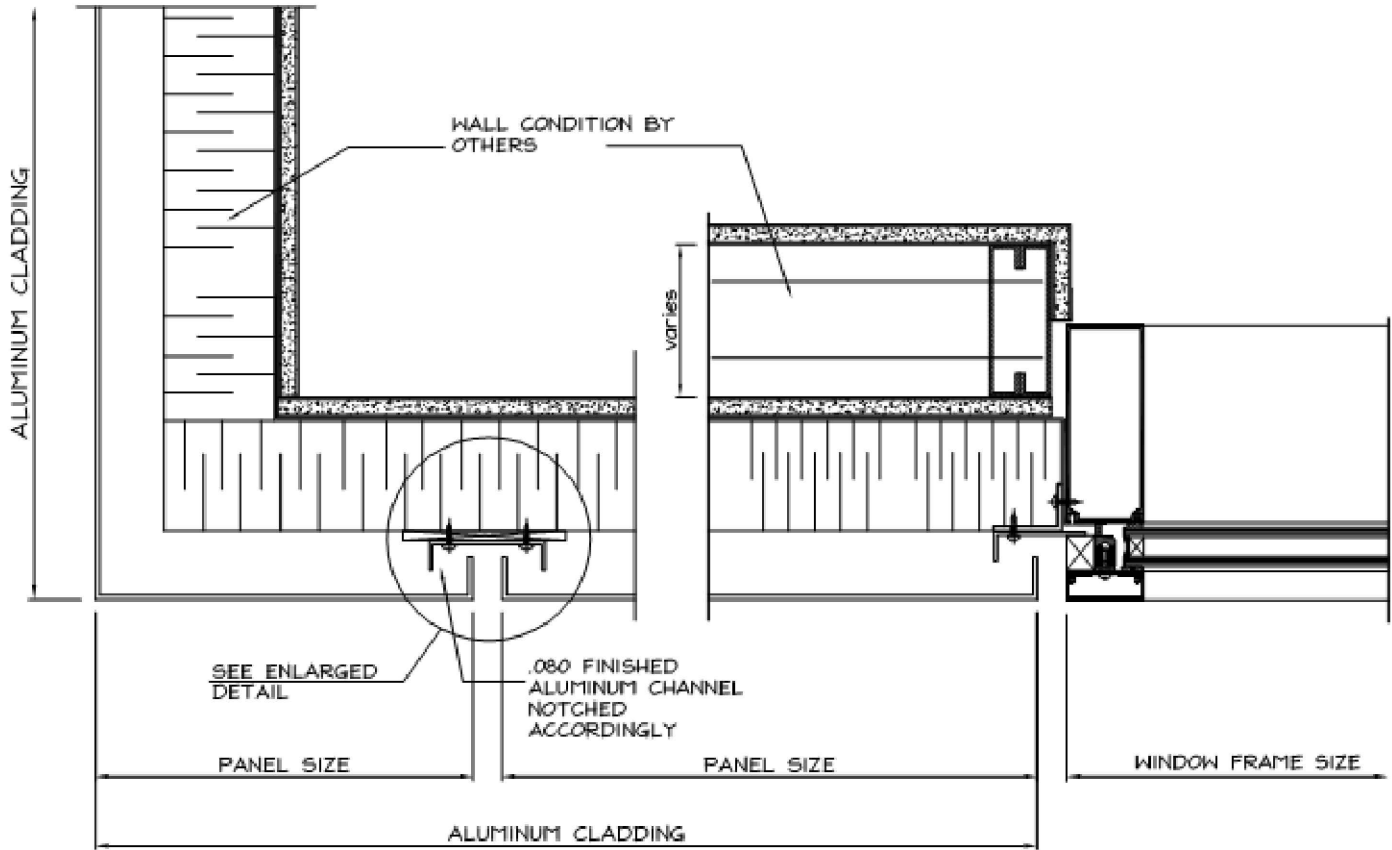
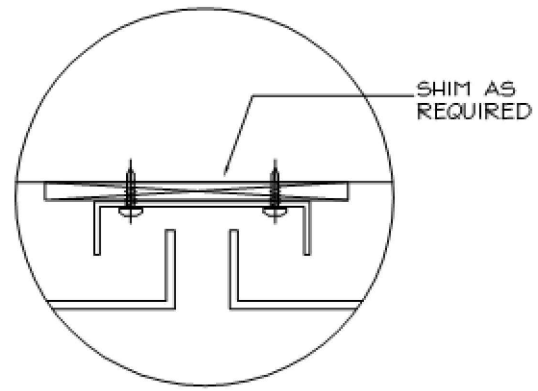


EMBURY COMPANY / CLADDING SYSTEM WITH DRY JOINT



① 90° EXT. CORNER

② JAMB DETAIL



①A TYP. VERTICAL JOINT

DISCLAIMER NOTE: THIS DETAIL IS PROVIDED FOR CONCEPTUAL PURPOSES ONLY. THE ACTUAL DESIGN, PANEL SYSTEM, FABRICATION, AND INSTALLATION ARE PROVIDED BY A NETWORK OF QUALIFIED FABRICATORS AND INSTALLERS. EMBURY COMPANY DOES NOT MAKE ANY WARRANTIES, EXPRESS OR IMPLIED INCLUDING MERCHANTABILITY AND FITNESS FOR PURPOSE.



6577 Northwest Drive, Mississauga, ON Canada L4V 1L1 - Tel.: 905-293-9900, Fax.: 905-293-9970.  
Web Site: www.emburyco.com