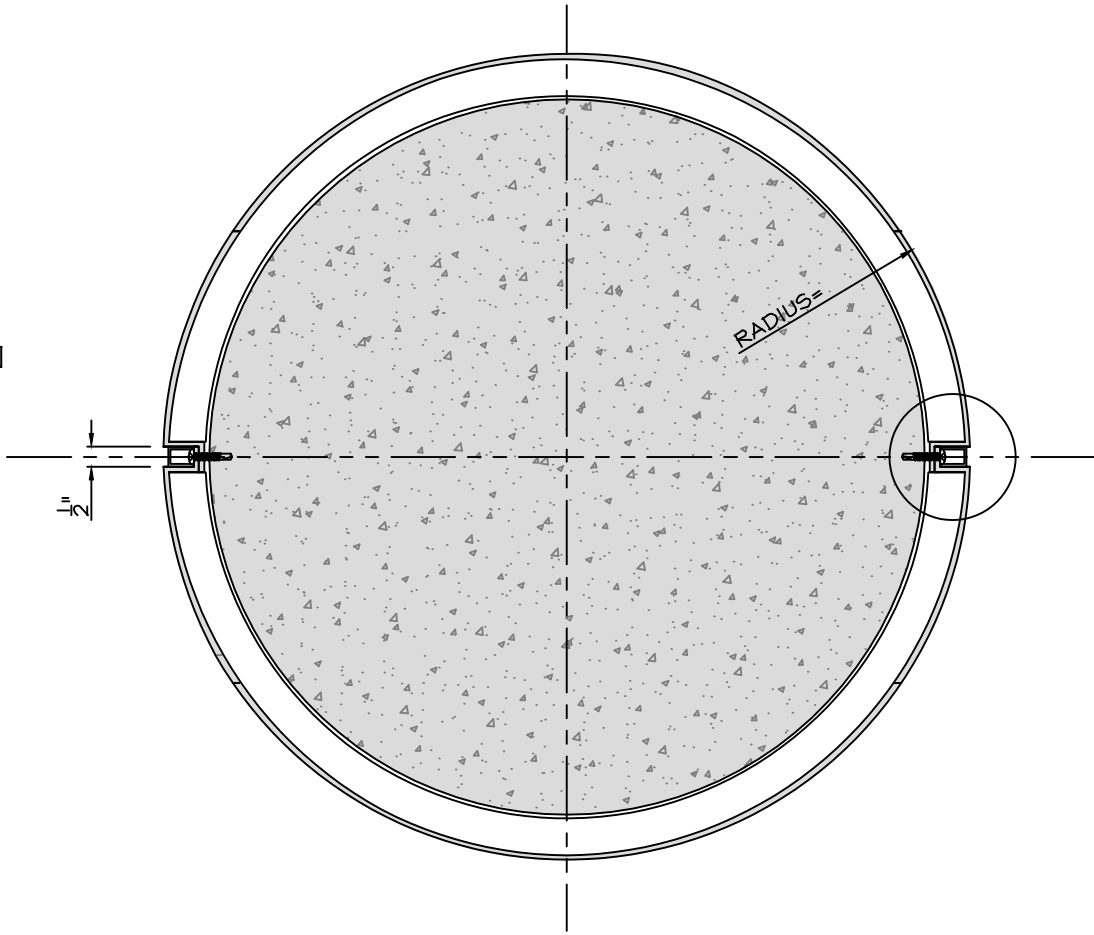
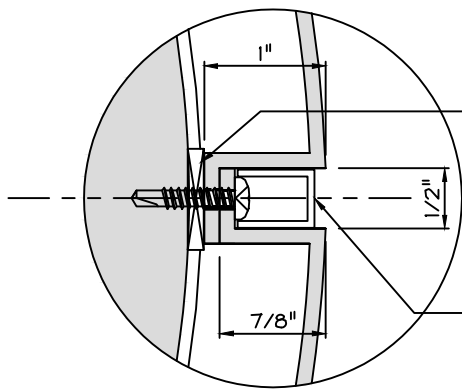


PARTIAL ELEVATION
COLUMN COVER

ALUMINUM COLUMN
COVERS ARE
AVAILABLE IN ANODIZED
& PAINTED FINISHES.
STAINLESS STEEL
COLUMNS WITH #4
BRUSHED, BLEND "S"
OR MIRROR FINISH.



1-1 SECTION @ COLUMN COVER



SHIM AS
REQUIRED

ALUMINUM OR STAINLESS
STEEL FILLER CHANNEL.
SIMILAR FINISH TO COLUMNS.

Section @ Vertical Joint

ARCHITECTURAL METAL PRODUCTS